

ATTENUATORS

QC10 CLASSIC

SINGLE-GANG

**UL LISTED, 20W, 10-Step,
Stainless Steel Faceplate, Printed Positions**



GENERAL DESCRIPTION

The **QC10 CLASSIC** is a UL Listed, single-gang, 20W, ten-step, continuous rotary, audio level attenuator with an OFF position. Brushed, stainless steel faceplate with printed positions and a black knob with white indicator mark.

INTENDED USE - Indoor Environment

Primary Use	Attenuates audio power to any number of loudspeakers, up to 20W load. For use with 25V or 70V distributed audio systems.
UL LISTED 813 Commercial Audio Equipment	When installed in accordance with supplied instructions and connected to supply circuits in accordance with ANSI/NFPA70, NEC, and AHJ.
Installation	Single-gang electrical box, 2-1/8"D

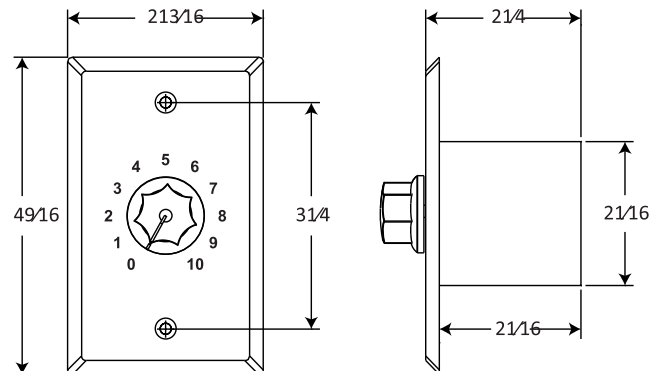
AUDIO SPECIFICATIONS

Power Rating	20W Continuous
Attenuation (Ref: 25V, 70.7V line)	Position 10 : Full Signal Position 9-3 : -3 dB each Positions 2-1 : -6 dB each Position 0 : No Signal
Insertion Loss	<0.5 dB
Audio Connection	10" long, pre-cut, color coded leads



RECOMMENDED QUAM COMPONENTS

Enclosures | *Surface Mount* : SE4W



<p>Recommended construction sequences, installation instructions, and A&E Specifications are available in various formats in the QUAM Architects' and Engineers' Resources section on the web at: www.QuamSpeakers.com</p>					<p>QUAM-NICHOLS COMPANY, INC. 234 East Marquette Rd. Chicago, IL. 60637 Tel: 1-800-NEED-NOW (800-633-3669) Fax: 1-888-NEED-NOW (888-633-3669) e-mail: NeedNow@QNC.com www.QuamSpeakers.com</p>
<p>© 2013 Quam-Nichols Company reserves the right to make changes and/or improvements to its products at any time and without notice.</p>					